

Installation Instruction

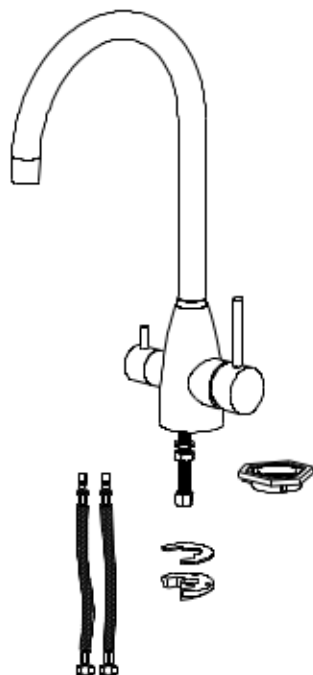
Three Flow Kitchen Faucet

RING HOT WATER



Before Your Installation

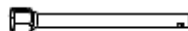
Check to make sure you have the following parts indicated below:



Tools You Will Need



Adjustable wrench

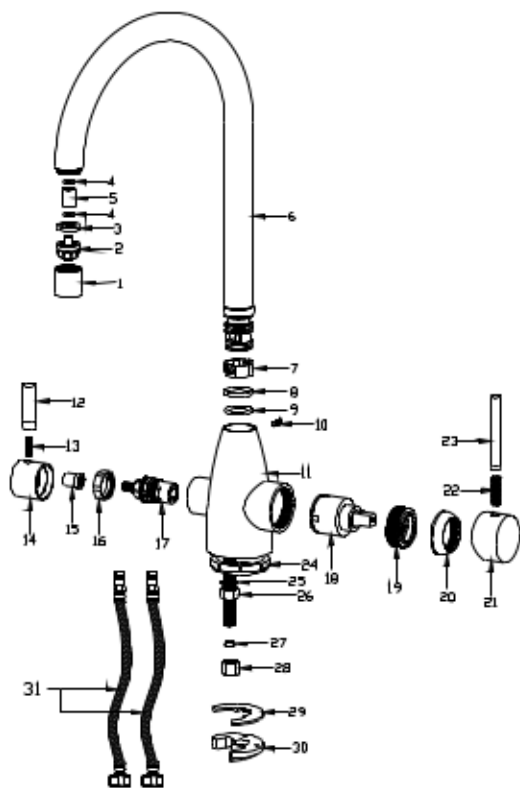


Spanner
(supplied)

WaterMark

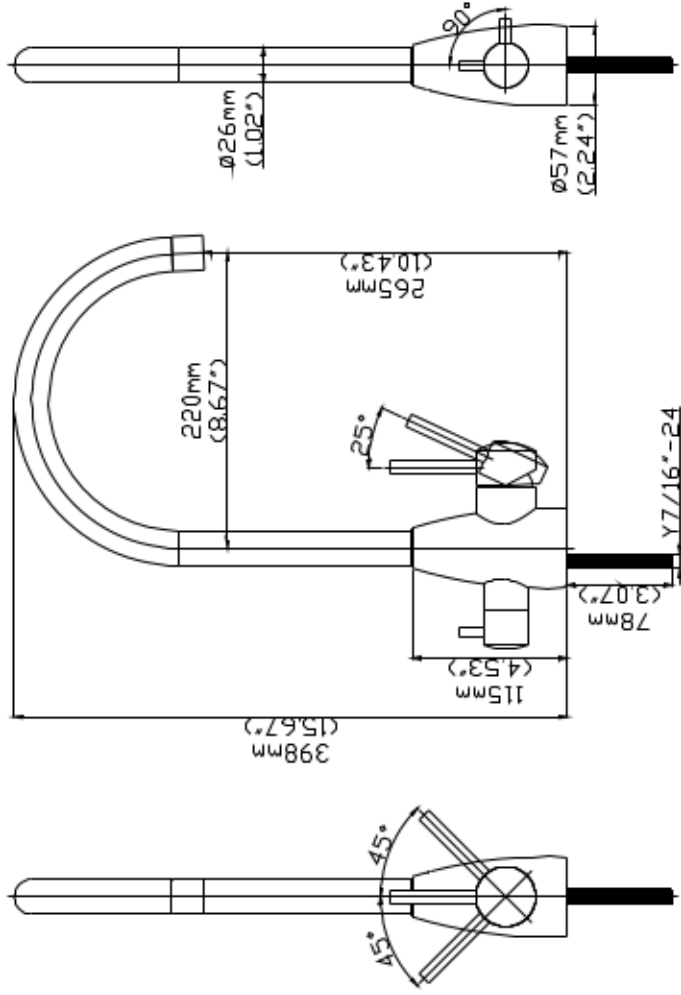
Replacement Parts

Keep this manual for ordering replacement parts.



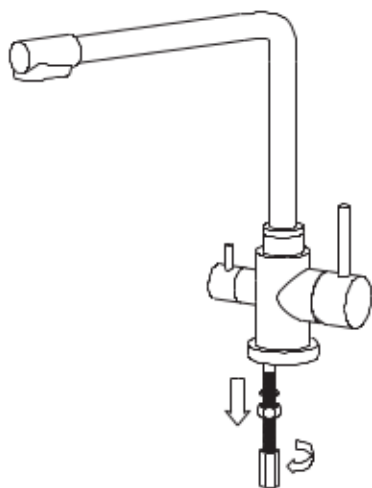
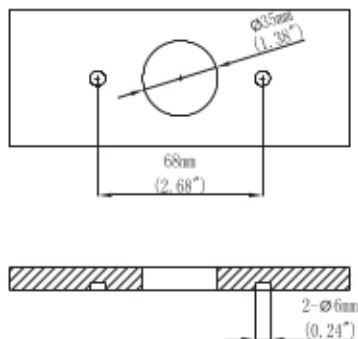
| NO | NAME |
|-----|------------------------|
| 1. | Aerator holder |
| 2. | Aerator |
| 3. | O-ring |
| 4. | Sealing plate |
| 5. | O-ring |
| 6. | Spout |
| 7. | Plastic cover |
| 8. | O-ring |
| 9. | O-ring |
| 10. | Screw |
| 11. | Faucet body |
| 12. | Handle knob |
| 13. | Screw |
| 14. | Handle body |
| 15. | Universal fixed cover |
| 16. | Lock nut |
| 17. | Cartridge |
| 18. | Cartridge |
| 19. | Lock nut |
| 20. | Cartridge holder |
| 21. | Handle body |
| 22. | Screw |
| 23. | Handle knob |
| 24. | Bottom gasket |
| 25. | Washer |
| 26. | Lock nut |
| 27. | Retainer ring |
| 28. | Nut |
| 29. | Rubber gasket |
| 30. | Stainless steel gasket |
| 31. | Hose |

Product Dimension Drawing

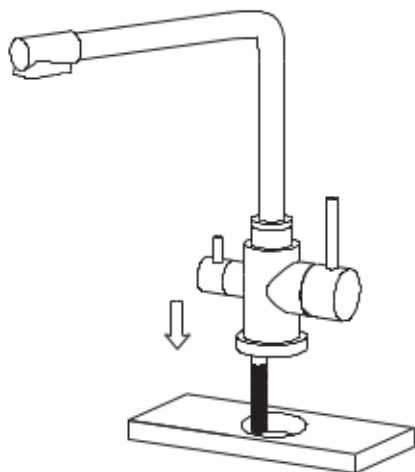


Faucet Installation Procedures

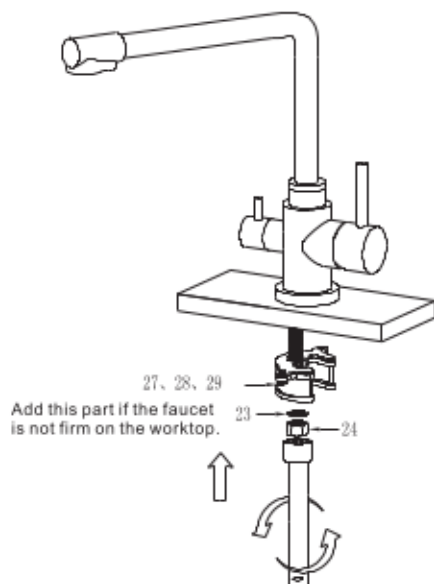
Step ①



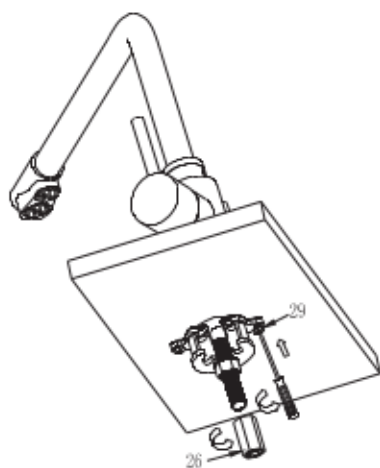
Step ②



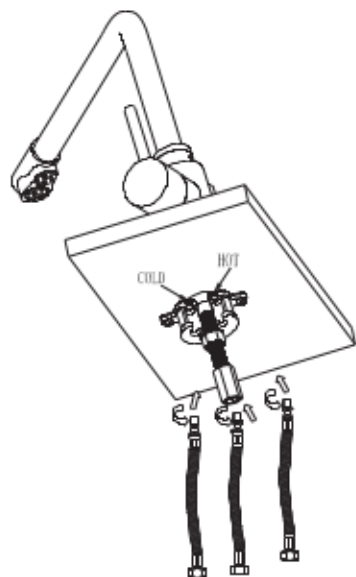
Step ③



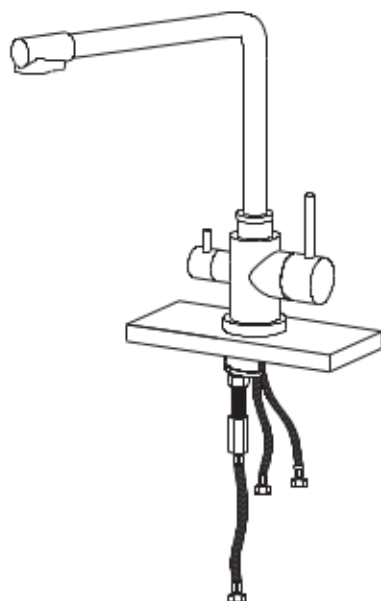
Step ④



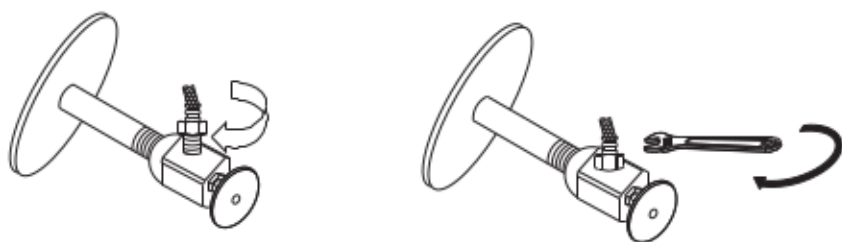
Step ⑤



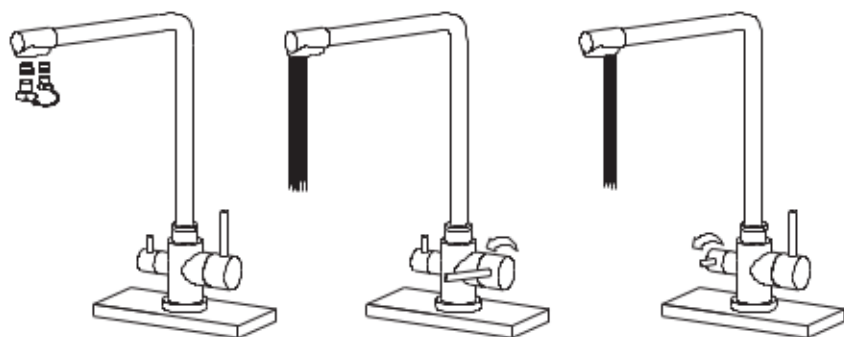
Step ⑥



Step ⑦



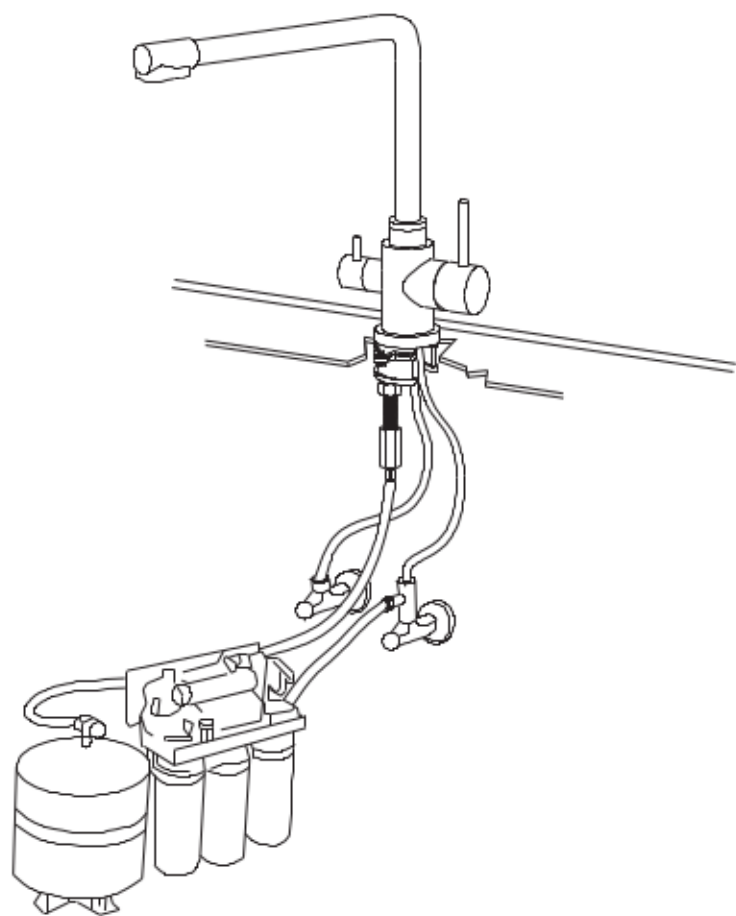
Step ⑧



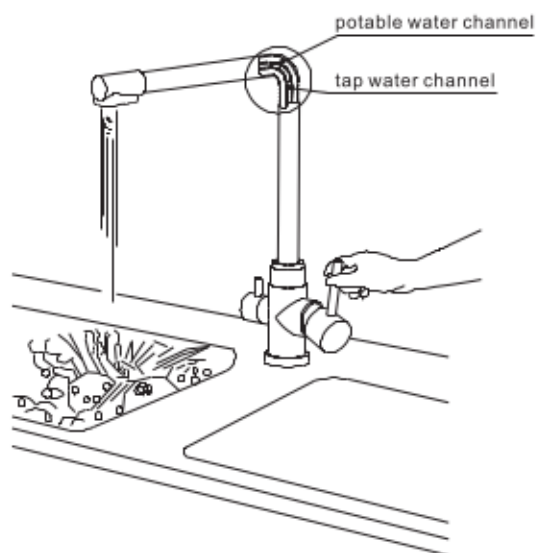
Notice:

Please removing all of the sand, silt and other things from the water hose before assembling, to avoid blocking the faucet and effecting water rate. Please use the special tools to disassemble it and wash with pneumatic equipment, if the faucet blocked.

Step ⑨



Step ⑩



Step ⑪

