

Installation Instruction

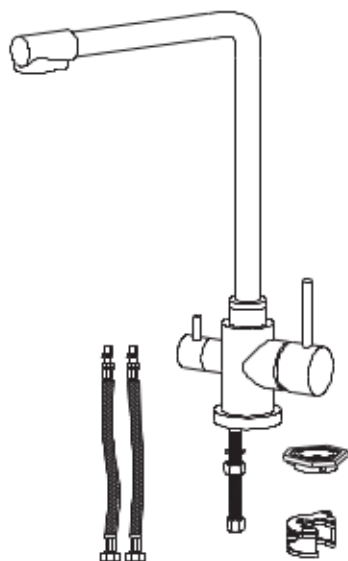
Three Flow Kitchen Faucet

RING HOT WATER



Before Your Installation

Check to make sure you have the following parts indicated below:



Tools You Will Need



Adjustable wrench



Spanner
(supplied)



Spanner for aerator
Ø21.5mm(supplied)



Spanner for aerator
Ø16mm(supplied)



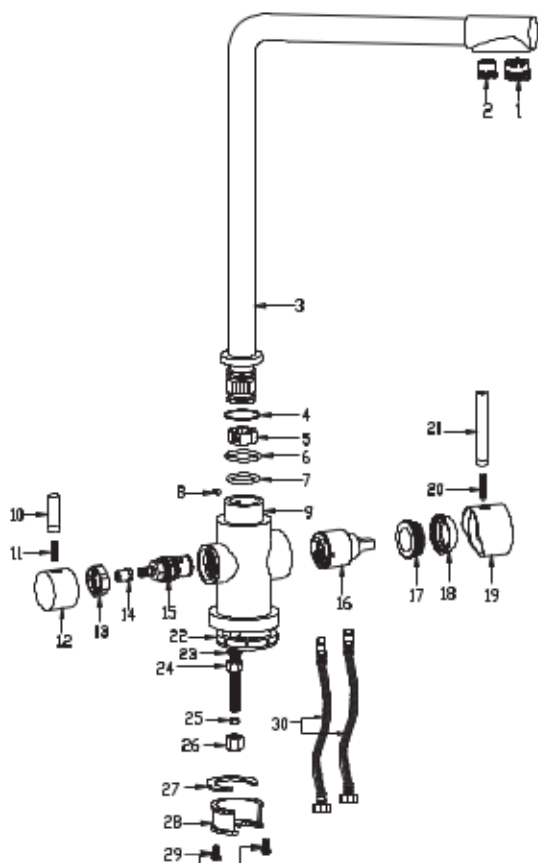
Phillips screwdriver



Pipetape

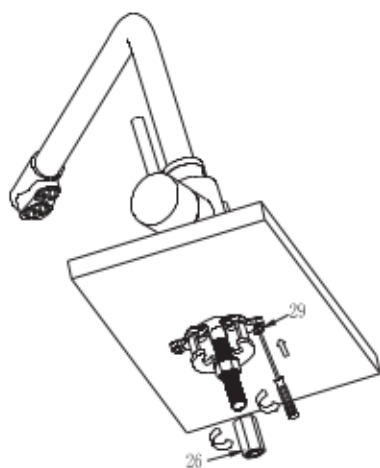
Replacement Parts

Keep this manual for ordering replacement parts.

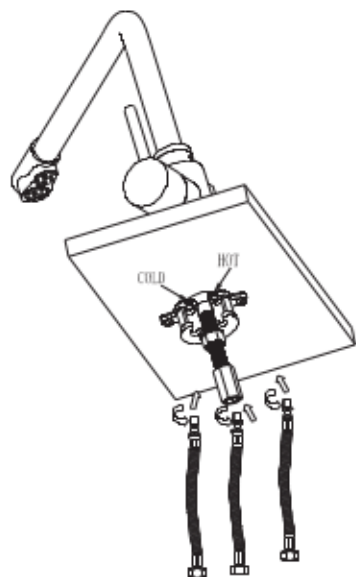


NO	NAME
1.	Aerator (NP-JR22)
2.	Aerator (NP-TT16)
3.	Spout
4.	Anti-friction ring
5.	Plastic cover
6.	O-ring
7.	O-ring
8.	Screw
9.	Faucet body
10.	Handle
11.	Screw
12.	Handle body
13.	Lock nut
14.	Universal fixed cover
15.	Cartridge
16.	Cartridge
17.	Lock nut
18.	Cartridge holder
19.	Handle body
20.	Screw
21.	Handle knob
22.	Bottom gasket
23.	Washer
24.	Lock nut
25.	Retainer ring
26.	Nut
27.	Rubber gasket
28.	Stainless steel gasket
29.	Screw
30.	Hose

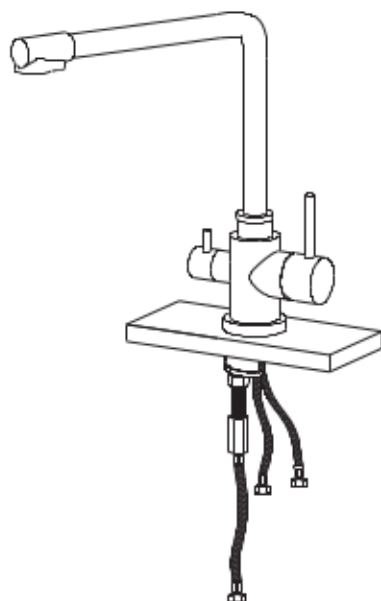
Step ④



Step ⑤



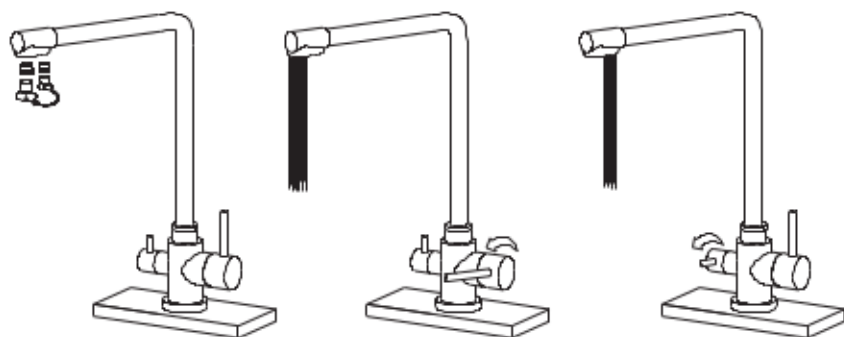
Step ⑥



Step ⑦



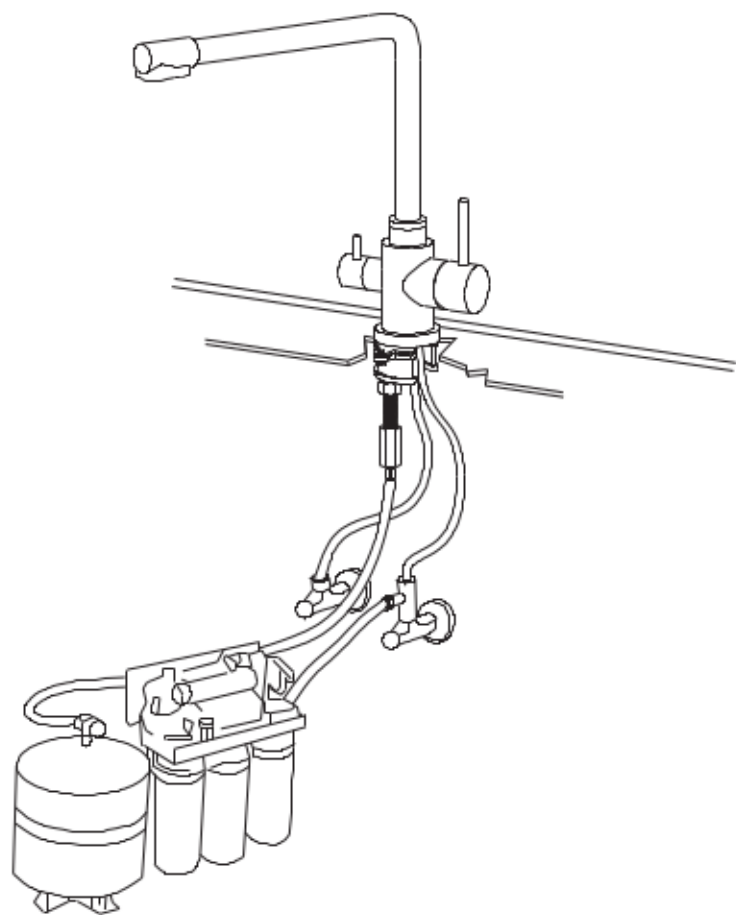
Step ⑧



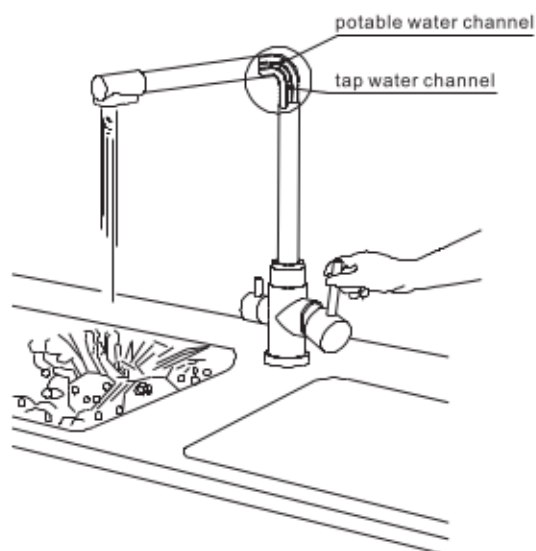
Notice:

Please removing all of the sand, silt and other things from the water hose before assembling, to avoid blocking the faucet and effecting water rate. Please use the special tools to disassemble it and wash with pneumatic equipment, if the faucet blocked.

Step ⑨



Step ⑩



Step ⑪

